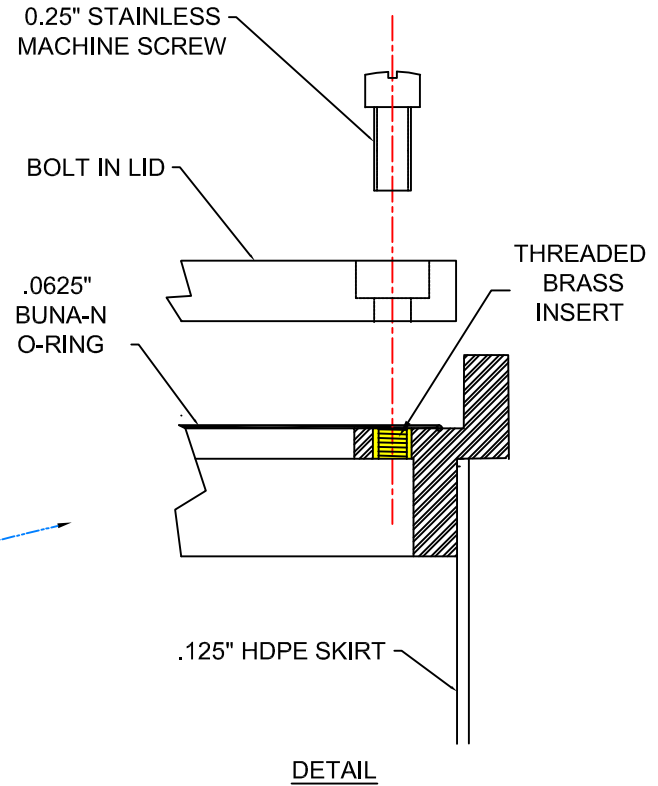
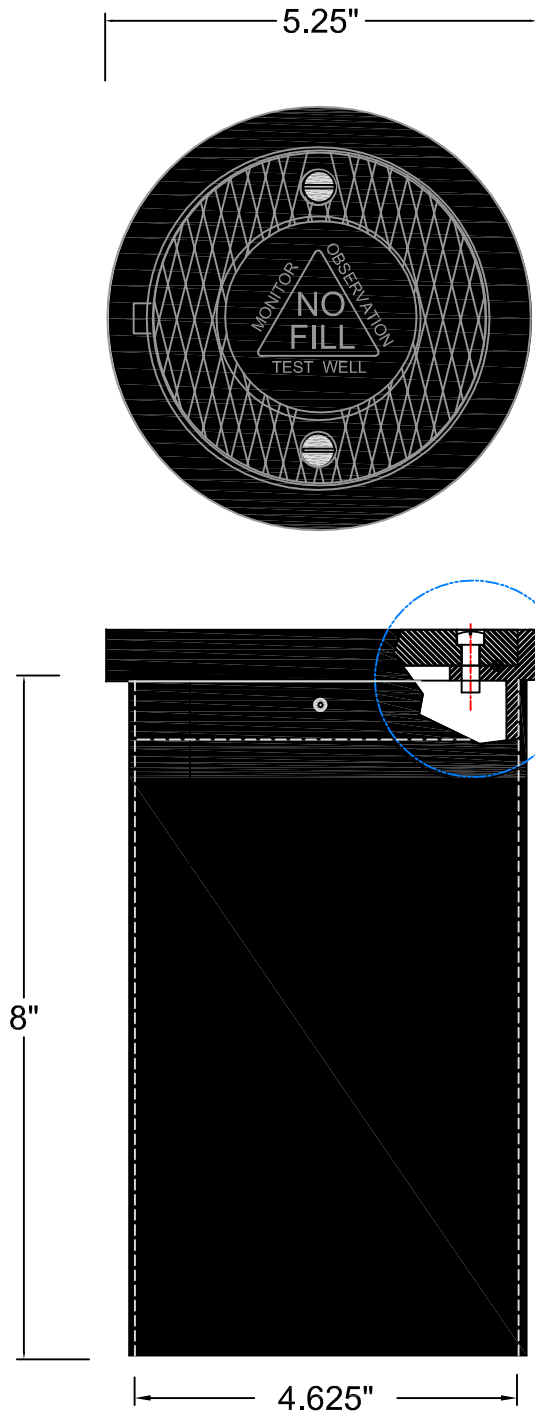


4"x 8" Fiberglass Reinforced Nylon (FRN) Manhole / Curb Box



SAMPLE SPECIFICATION

4"x8" Fiberglass Reinforced Nylon (FRN)
Polymer Manhole
.125" Wall HDPE Skirt
SS Screws w/Brass Anchor Inserts
H-20 Load Rated
Weight 18.65 oz

Know your Geology

Koby

Koby Environmental
Manufacturers of Environmental Groundwater Testing Equipment
716 741-2780
Sales@Kobyenviro.com

USA

The logo for Koby Environmental is displayed within a red-bordered box. It includes the tagline "Know your Geology" on the left, the company name "Koby Environmental" in large bold letters, and contact information: "Manufacturers of Environmental Groundwater Testing Equipment", phone number "716 741-2780", and email "Sales@Kobyenviro.com". The word "USA" is at the bottom left. The background of the logo features a landscape with a lake and trees.